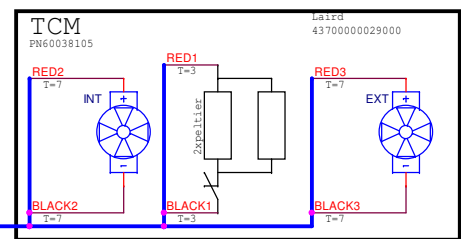
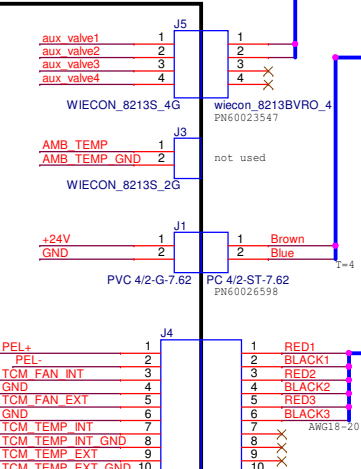
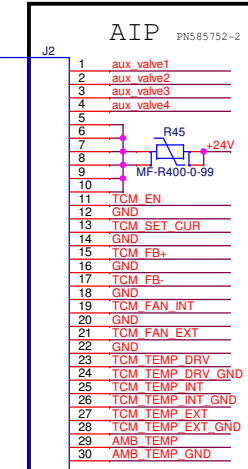
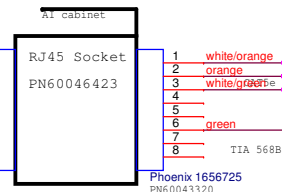
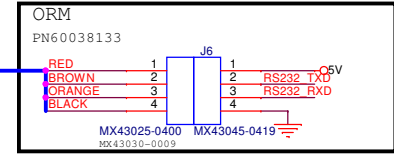
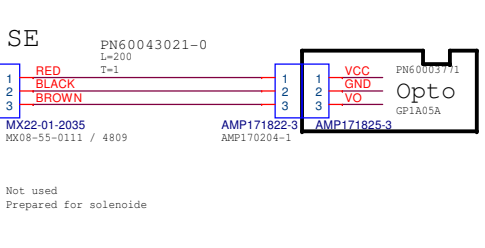
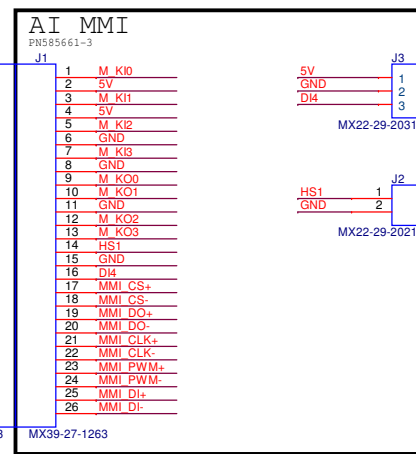
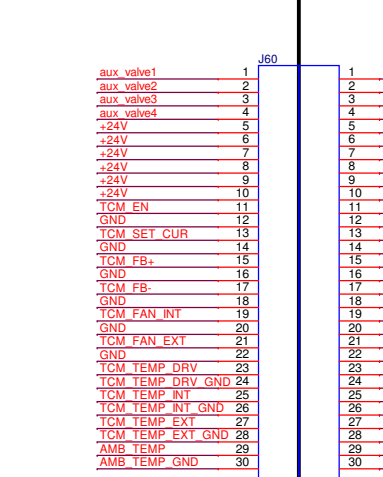
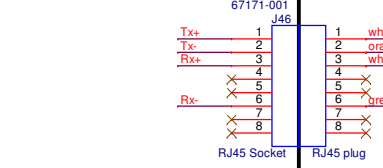
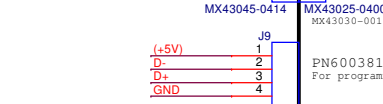
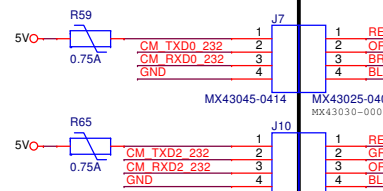
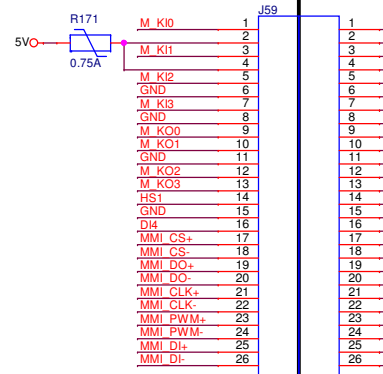


AID 1/10  
PN585638-5



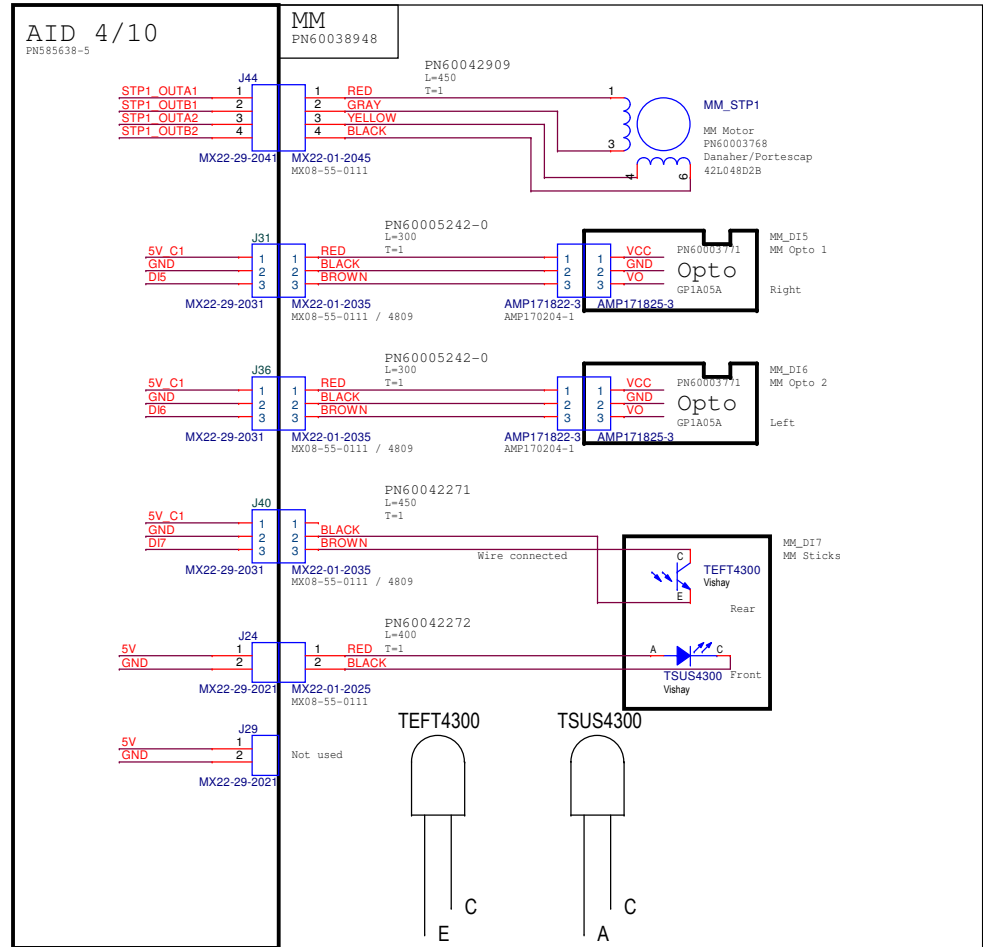
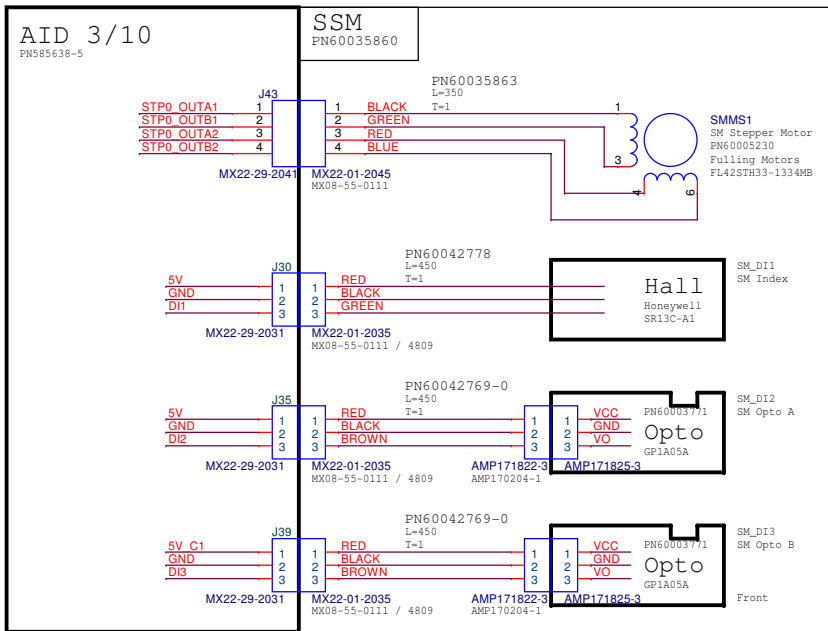
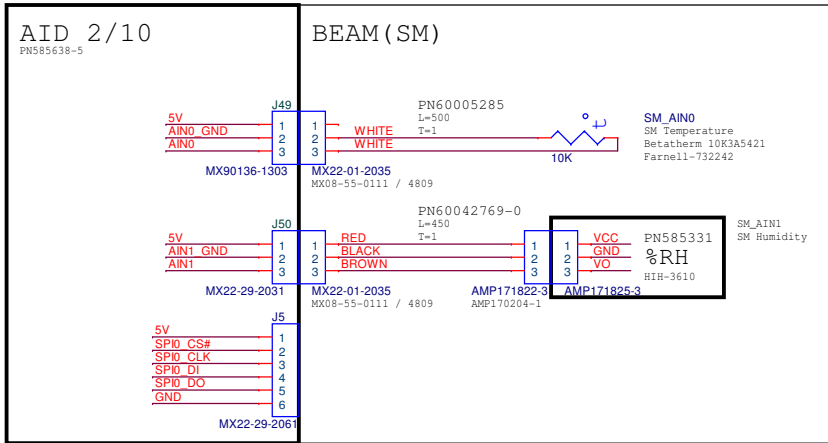
Rev	Date	ECM	Note
01			
02			
03			
04	2010-05-11		Diluent sensor J55. Partnumber added.
05	2010-08-17		ORM log cable removed. PN60042271 extended to 45cm. Cable type 2 updated. Partnumber updates. DIO for Diluent. Level sensor J55.
06	2010-12-13		ETH, BD, flow modul. Cablelength in mm.
07	2011-01-17		Revision on cables. PN60049712 reed sensor update.
08	2011-02-09		Ribbon cable update.
09	2011-03-04		Needle, J14, J53.
10	2011-03-28		J57 valve updated.
11	2011-09-05		J55 level sensor removed.
12	2011-10-20		
13	2012-08-27	5101	
14	2012-12-03	5235	
14	2013-04-02		

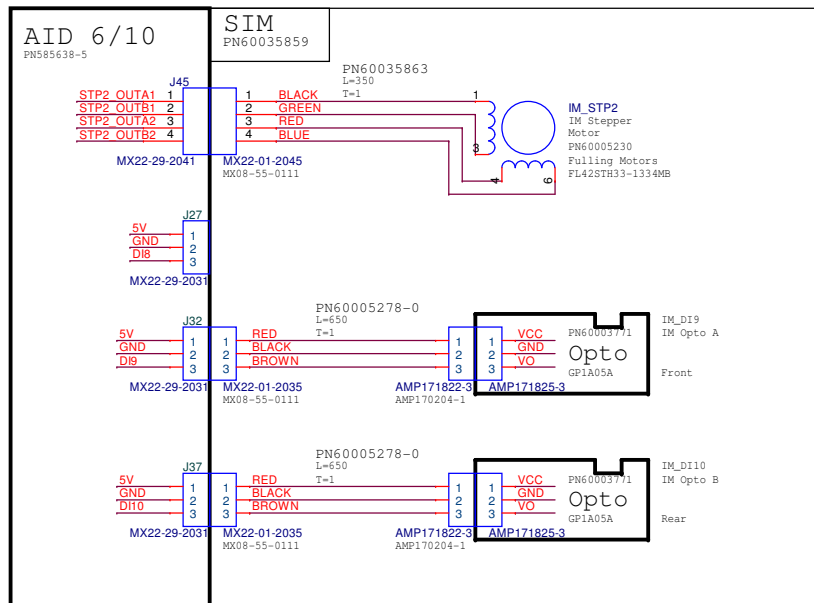
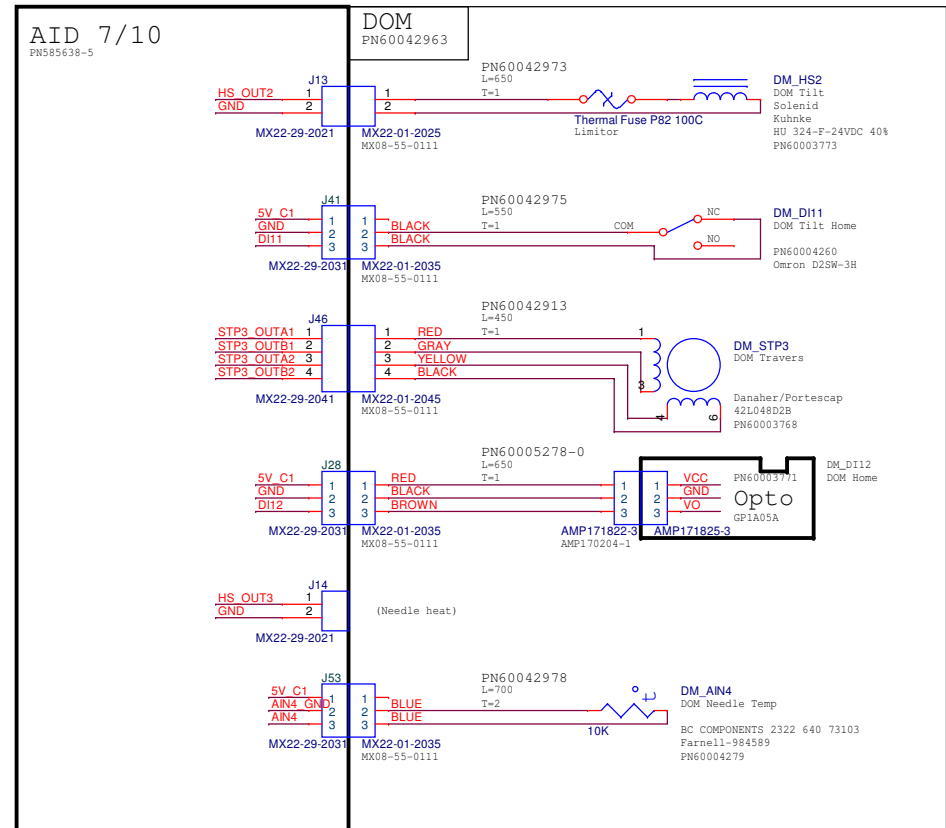
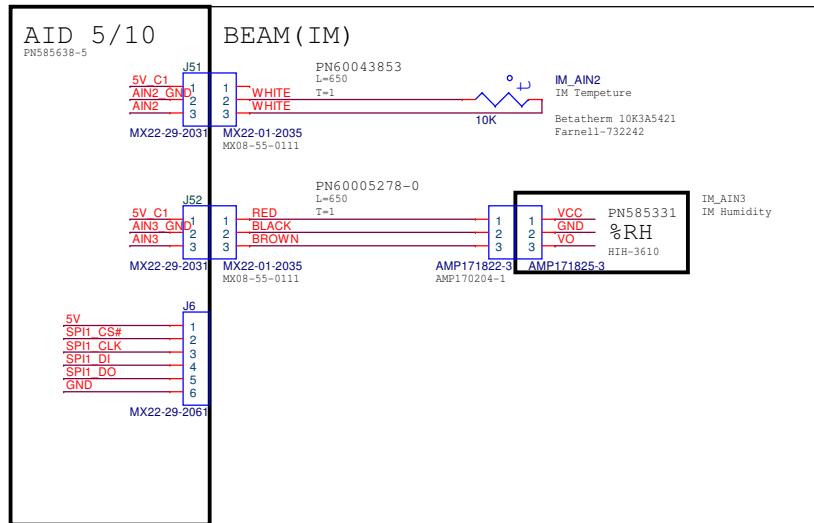
**Lattec** Slangerupgade 69, 3400 Hillerod, Denmark

**Interconnection AI HN2**

File: HWWARE/ORDCAD/INTERCONNECTIONAL/HN2/1000030212-14 INT AI HN2.DSN

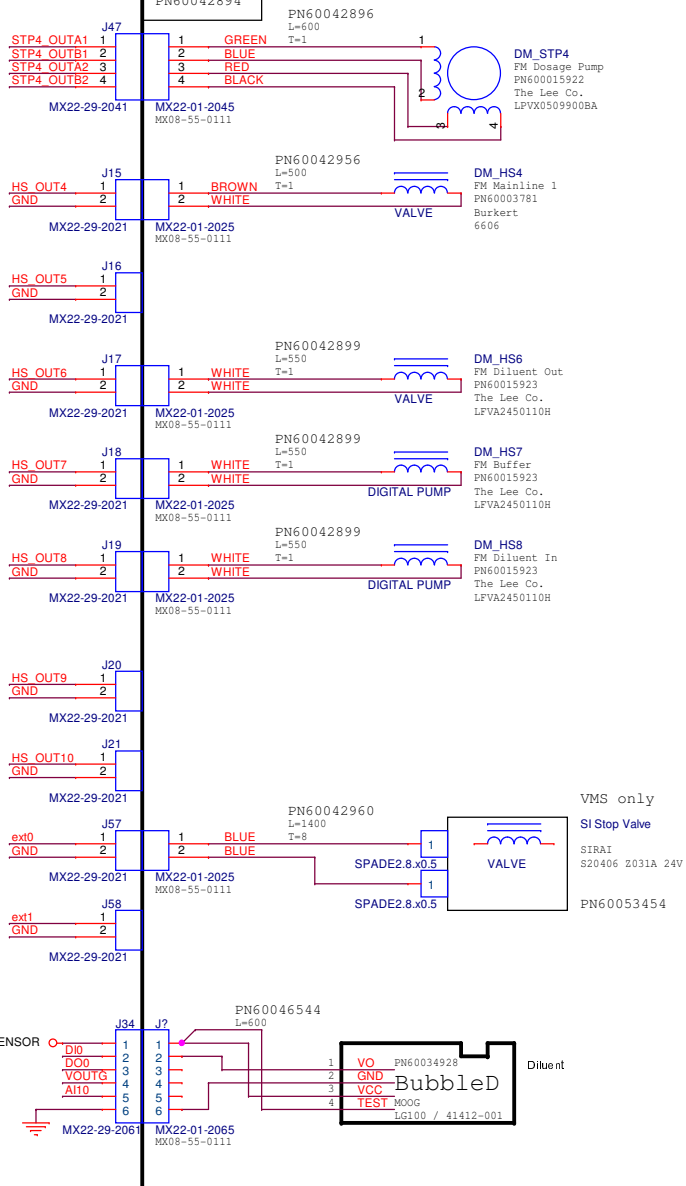
Size A3	Document: 1000030212	Part: 6037205	Rev: 14
Date: April 02, 2013	Sheet: 1	of: 5	



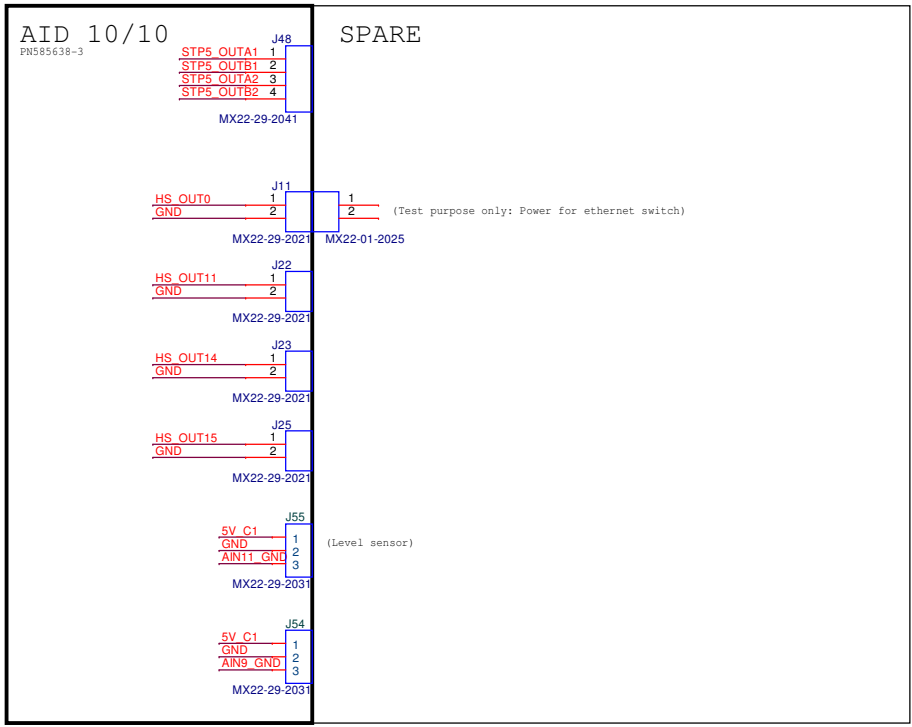
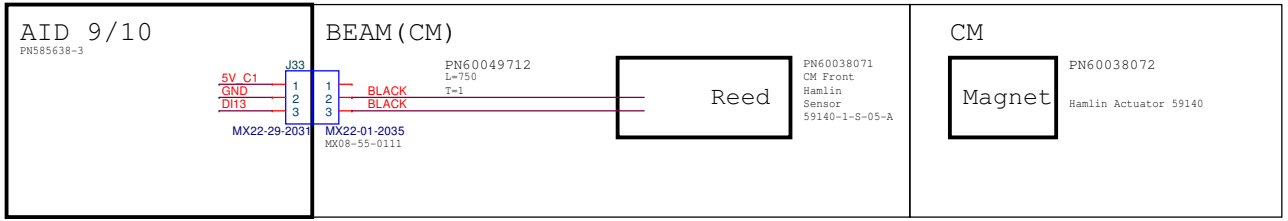


AID 8/10  
PN585638-3

FM  
PN60042894



<b>Lattec</b> Slangerupgade 69, 3400 Hillerød, Denmark			
File: Interconnection AI HN2			
File: M:\HARDWARE\ORCAD\INTERCONNECTION\AI HN2\1000030212-14 INT AI HN2.DSN			
Size: A3	Document: 1000030212	Part: 60037205	Rev: 14
Date: April 02, 2013	Sheet 4 of 5		



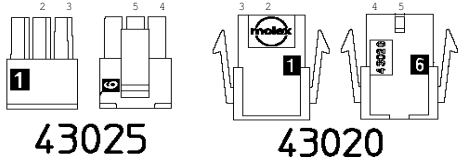
Part	Part Number
MX22-01-2025	PN60005157
MX08-55-0111	PN60005151
MX22-01-2045	PN60005153
MX22-01-2035	PN60005160
Alpha 5013C	PN1032802
AMP171822-3	PN60004868
AMP170204-1	PN60005190
MX90635-1403	PN60005163
MX90635-1343	PN60005167
MX90635-1263	PN60005168

Part	Part Number
MX43640-0400	PN60005171
MX43031-0009	PN60005181
MX43645-0400	PN60005172
MX43030-0009	PN60005182
MX43030-0012	PNxxxxxxx
MX43640-0300	PN60005174
MX43645-0300	PN60005173
MX43640-0200	PN60005178
MX43645-0200	PN60005177
MX39-01-2041	PN60005175
MX39-00-0054	PN60005185
MX39-01-3042	PN60005176
MX39-00-0056	PN60005182
MX39-01-2021	PNxxxxxxx
MX39-01-3022	PNxxxxxxx
MX90160-0116	PN60005170
MX90119-2110	PN60005184
MX90160-0120	PN60005169

Wire size	
Female	Male
MX43030-0009: 20 - 24 AWG	MX43031-0009: 20 - 24 AWG
MX43030-0012: 26 - 30 AWG	MX43031-0012: 26 - 30 AWG
MX90119-2110: 22 - 24 AWG	
MX90119-2121: 26 - 28 AWG	

Alias	Lattec Partnumber	Manufacturer	Manufacturer Partnumber
Ferr0.25		Phonix	
Ferr0.5	PN60024103	Phonix	
Tern0.25	PN60023542	Tyco	2-520264-2
SPADE2.3x0.8I		Tyco	
SPADE2.8.x0.5		Tyco	
RING4	PN46177	Tyco	31886

T	Wire type
1	24 AWG UL-style 1007
2	0.25mm2 LIFY højfleksibel
3	18 AWG UL-style 1007
4	Power -
5	28 AWG UL-style 1007
6	Ribbon cable, grey 0,05inch (3M 3365/26 or 30
7	20 AWG UL-style 1007
8	0.5mm2 UL-style 1007



**Lattec** Slangerupgade 68, 3400 Hillerød, Denmark

File: **Interconnection AI HN2**

File: M:\HARDWARE\ORCAD\INTERCONNECTION\AI HN2\1000030212-14 INT AI HN2.DSN

Size: A3	Document: 1000030212	Part: 60037205	Rev: 14
Date: April 02, 2013	Sheet 5 of 5		